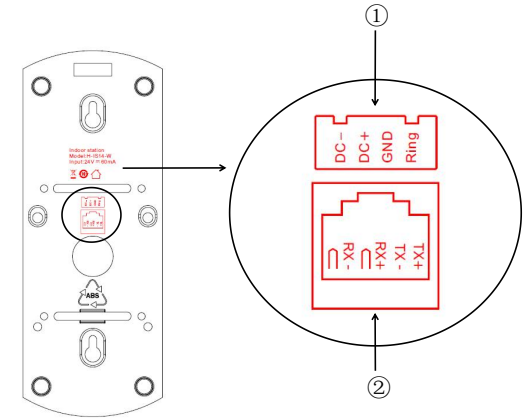
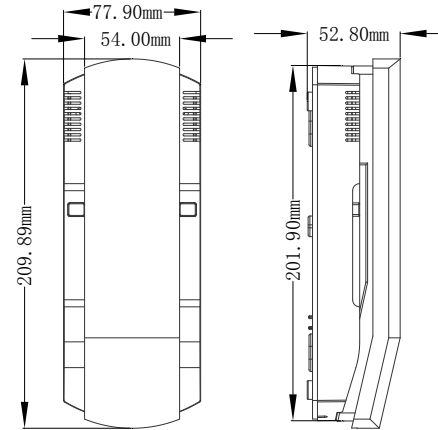


H-Series Digital Audio Telephone User Manual_V1.1

H-IS14-W



Unit 2 Dimension and Parameter



Working Voltage: DC 24V
Static Current: ≤ 60 mA
Working Current ≤ 100 mA
Dimension (L×W×D): 209.9×77.9×52.8 mm
Environment Temperature: $-10^{\circ}\text{C} \sim +55^{\circ}\text{C}$
Ring Duration: 30s Call Duration: 120s

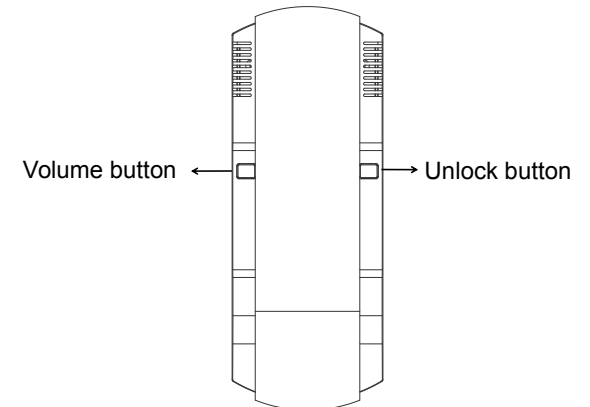
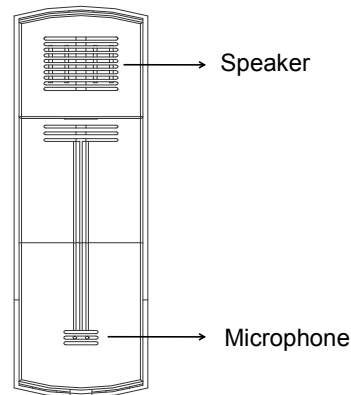
- ① DC-, DC+ : DC 24V power supply
GND, Ring : Door Bell interface
- ② Network interface : (non-standard 24V POE)

Unit 1 Function Overview

This product is one of the main components of the digital building intercom system, it is based on TCP/IP protocol and supports audio intercom, SOS alarm and door bell function.

- Support 24V non-standard POE power supply or additional DC 24V power supply
- Support door bell and SOS alarm function
- Support one apartment with more than one Indoor Station
- Support audio intercom between visitors and residents, residents and Guard Units
- Support audio intercom between any two apartments, but this product can only be called

Unit 3 Product Appearance



Unit 4 Basic Functions

➤ Apartment No. Setting

Open 'GVS_Config.exe', input the Check Code and click 'search', then select the device which needs to be configured, click 'Connect' to begin the configuration. In the same interface, locate 'Custom Order' and input the room no. in 'Device ID:' option . The format of 'Device ID' : 1-1-0101-1. Explanation: Building (1-99) - Unit (1-9) - Apartment (Floor 1-63 + Room 1-32) - Device No.(1-4)

➤ Call Pick Up

In standby mode, when there is a call coming in, residents can answer the call by picking up the handset. If the call comes in while the handset is picked up already, the handset is needed to be hung up and picked up, then the residents can answer the call.

➤ Call Hang Up

During 120s of conversation, residents can end the talk by hanging up the handset.

➤ Ringing Volume Setting

In standby mode or when it is ringing, short press volume button to adjust ringing volume. The default volume is level 3, with every short press, the volume will add 1 level, maximum level is 5. The volume level will circles from 1 to 5 .(The last volume setting will be saved)

➤ Talking Volume Setting

When the conversation has began, short press volume button to adjust talking volume. The default volume level is 3, with every short press, the volume will add 1 level, maximum level is 5. The volume level will circles from 1 to 5 .(The latest volume setting will be saved)

➤ Unlock

When the device is being called by Outdoor Station /Perimeter Gate Station or having conversation with them, short press the unlock button to open door no.1, if the Lift Control module and Relay module is well connected, then long press unlock button for 3s it will unlock door no.2 . In the case of one apartment has installed video Indoor Station and it is paired with Mini Outdoor Station, then once the unlock permission is synchronized, the Audio Telephone can unlock for Mini Outdoor Station while it's being called or having conversation.

➤ Call Guard Unit

In standby mode, pick up the handset and long press unlock button for 3s to call Guard Unit.

➤ SOS alarm

In standby mode, hang up the handset and long press unlock button for 3s, the device will enable SOS alarm and ring the alarm. Pick up and hang up the handset to disable SOS alarm.

➤ Doorbell

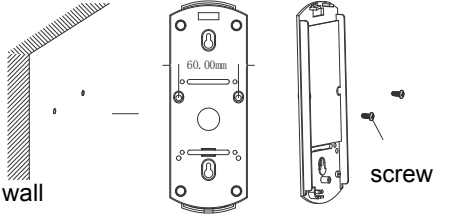
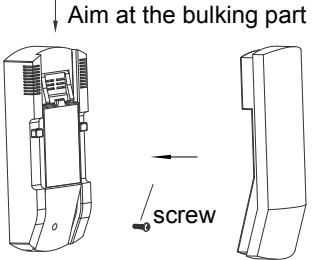
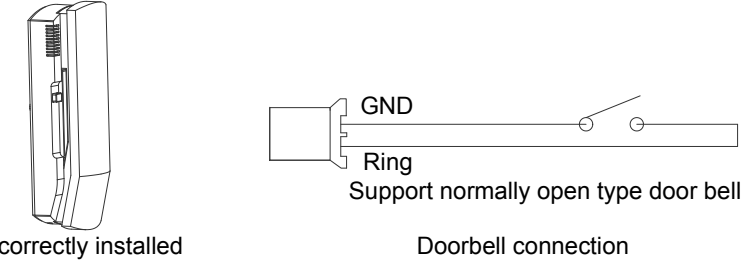
The device will ring when the door bell is pressed.(not affected by calling ringtone).

➤ Factory Reset

Within 60s after powering the device, long press volume button for 3s, it will enter factory reset mode with a long beep, short press volume button again the factory reset will be done with another long beep.

Note: After factory reset, the device may have IP conflict with other devices, and the fault alarm will ring(please check if conflict of room no.or MAC address exists). In this case, change the room no.of the device will solve this problem, and the fault alarm will stop.

Unit 5 Installation

	<p>Step1: Install the back plate: drill two holes on the wall with 1.5m from the ground, 60mm in between, then put the back plate on the wall and fasten with screws.</p>
	<p>Step2: Put the housing on the back plate, fasten with screws, then connect the handset cable and put it in place.</p>
 <p>correctly installed</p> <p>Doorbell connection</p>	

● Attention

1. Please keep devices away from strong magnetic field, high temperature, wet environment.
2. Please do not fall the devices to the ground or make them get hard impact.
3. Please do not use wet cloth or volatile reagent to wipe the devices.
4. Please do not disassemble the devices.
5. Avoid exposing metal part in ports to avoid electric shock.
6. NO reverse wires in both input and output.