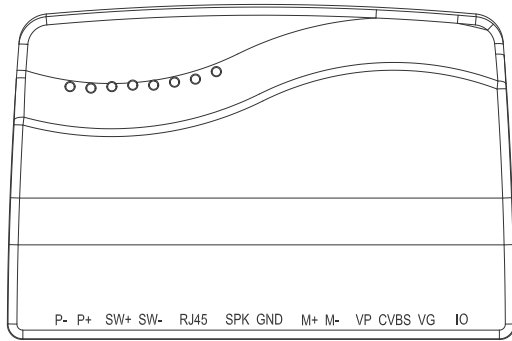


H Series Lift Calling Module User Manual_V1.1

H-LC01



● Product Overview

The lift calling module, it can call to the management center to implement video intercom function. It allows the guard unit to perform the proactive monitoring to the lift.

➤ Lift Calling:

When the building intercom system devices sending out a call, it can be directed to guard unit, once the call received and handset picked up, video intercom activity can be performed.

➤ Lift surveillance:

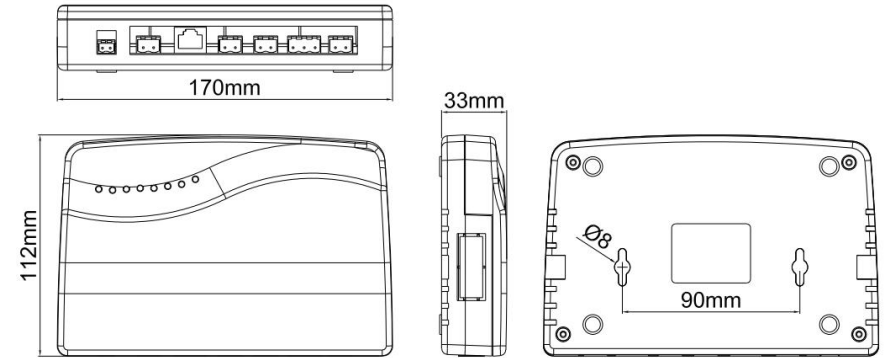
Guard unit can input the lift No.to perform the proactive surveillance in the lift.

● Parameters

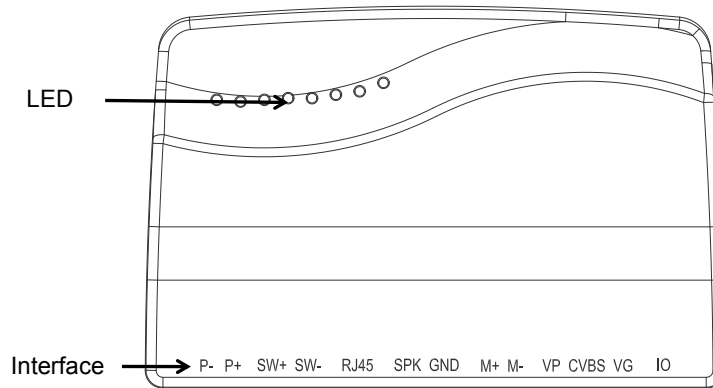
No.	Item	Parameter	No.	Item	Parameter
1	Working voltage	DC 24±5V	7	Mic	-32dB
2	Working current	≤ 200 mA (DC 24V)	8	Cable distance	100M max.(CAT5)
3	power-supply ripple	≤ 200 mV	9	Working Humidity	35%~90%
4	Video input	1Vp-p±0.5Vp-p	10	Working temperature	-10℃~+55℃
5	Speaker	16Ω/0.5W	11	Storage temperature	-20℃~+70℃
6	PoE Voltage	DC24±5V (Pin 12/36 of RJ45)			

● Dimension

Outline dimension(L×W×D): 170×112×33 mm



● Instruction



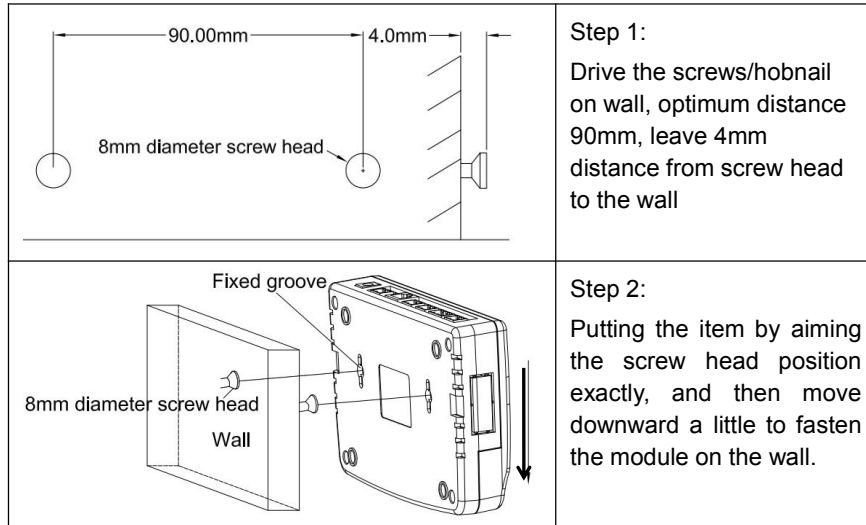
Port description

P- P+: Positive and negative pole of Power supply(Positive pole:DC+24V±5V)
 SW+ SW-: Calling button ports
 RJ45: Connecting with switch/ Guard unit
 SPK GND: Connecting with speaker
 M+ M-: Connecting with microphone
 VP: +12V video power supply
 CVBS: Video signal
 VG:Video ground
 IO: Input/Output

LED description

Red LED, it turns on when DC power supply/ PoE switch connecting

● Installation



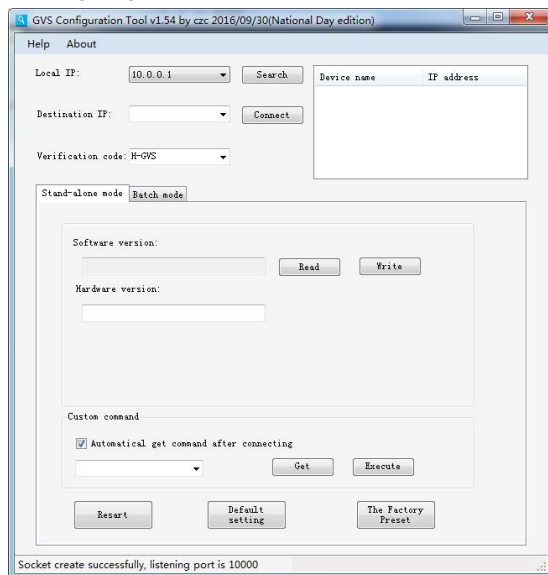
Step 1:
Drive the screws/hobnail on wall, optimum distance 90mm, leave 4mm distance from screw head to the wall

Step 2:
Putting the item by aiming the screw head position exactly, and then move downward a little to fasten the module on the wall.

● Setting building No.& Unit No. & Device No.

Lift call module with same setting value of outdoor station, default setting Building 1, Unit 1, Device No.10, setting can be modified by setting tool to change the building No., Unit No and Device No.

Setting page are showed as below:



1. Setting the computer IP address adopts network segment of 10, subnet mask to be 255.0.0.0, choose the setting tool, selecting computer IP address from the list for Local IP address
 2. Inputting verification code XXX(Optional), this is the default setting code of the setting tool.
 3. Connected the computer and lift calling module with the switch, click “Search” button, acquire the IP address automatically(Lift calling module IP)
 4. Clicking “connecting” button, setting tool and lift calling module will connect with Internet.
 5. According to the practical engineering project, selecting the configuration in the box
 - ① “Unit No.(3):”: Setting up the building No. and Unit No.
 - ② “Device No.(1):”: Setting up the device No. (Avoid to have number of the overlap with outdoor station)
- Inputting the number after the colon, click “active” button, the network maybe be disconnected, as the IP address has been modified. Re-click the “Search” button to search the Internet, then continue to execute the next step.

Note: Unit No.(3): The command of “(3)” represents that input 3 digits, the first 2 digits mean building No., the last digit means unit No.For example, 101 represent that Building No.is 10, Unit No.is 1.Similarly, Device No.(1): The command of “(1)”represents the device No., normally not necessary to set up the digit, default value is 1.

● Accessory list

No.	Item	Qty	Remark
1	Lift calling module	1	White 170×112×33 mm
2	2P horizontal type male connector	4	Space 0.5mm
3	2P horizontal type male connector	1	Space 3.8mm
4	3P horizontal type male connector	1	Space 3.8mm
5	Wire for calling button	1	2m
6	Speaker& Mic suite	1	0.5m
7	Certification of Qualification	1	1 sheet
8	User manual	1	H series lift calling module user manual

● Caution

1. Keep devices away from strong magnetic field, high-temp and wet environment
2. DO NOT fall the devices to the ground or make them get hard impact
3. DO NOT use wet cloth or volatile reagent to clean the device
4. DO NOT disassemble the device without professional guidance