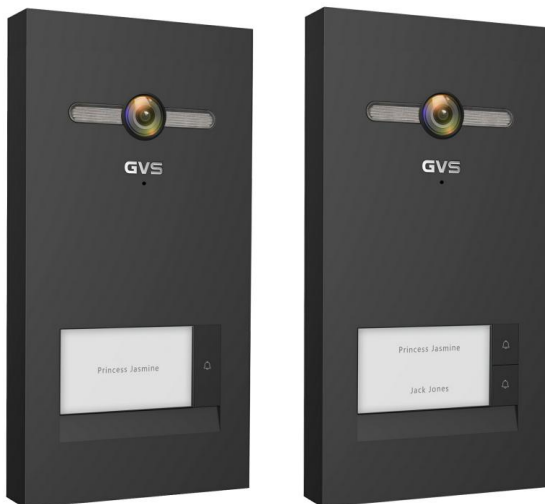


Outdoor Station



T Series 2-Wire Outdoor Station(Surface Mounting)

User Manual_V1.0

T-OS06/T-OS10

Attentions

1、 Please keep devices away from strong magnetic field , high temperature , wet environment ;



2、 Please do not fall the devices to the ground or make them get hard impact ;



3、 Please do not use wet cloth or volatile reagent to wipe the devices ;



4、 Please do not disassemble the devices.

Content

Chapter 1 Function Overview	1
1.1 Function	1
1.2 Parameter	1
Chapter 2 Product Introduction	2
2.1 Front View	2
2.2 Product Dimension	3
2.3 Interface Introduction	4
Chapter 3 Installation	5
3.1 Installation Height	5
3.2 Installation Steps	6
Chapter 4 User Instruction	8
4.1 Calling resident	8
4.2 Unlock	8
4.3 External camera extension	9
Chapter 5 Settings	9
5.1 Factory Setting	9
5.2 Unlock Time Setting	9
5.3 Calling Volume Setting	9
5.4 Address Setting	9

Chapter 1 Function Overview

This product is an Outdoor Station in 2-wire analog video door phone system. Twin-core cable is adopted to connect into the system. It supports video intercom with Indoor Monitor and door unlocking. With the Relay Actuator Control Module connected, it also supports unlocking 2nd door.

1.1 Function

- Support calling to Indoor Monitor 1 and Indoor Monitor 2
- Adjustable unlock time
- Door status detection
- Support external camera extension (Camera Interface Module is needed)

1.2 Parameter

Working Parameter

Working Voltage: DC 24~32V

Static Current: ≤ 20mA (DC 30V)

Working Temperature: -25℃~55℃

Working Current: ≤ 110mA (DC 30V)

Storage Temperature: -40℃~70℃

Dimension(H/W/D): 168×86×26mm

Camera

Type: CMOS

Resolution: 600TVL

View Angle: 90°(Horizontal)

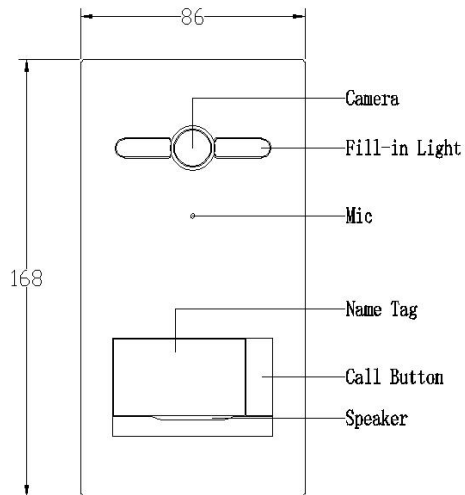
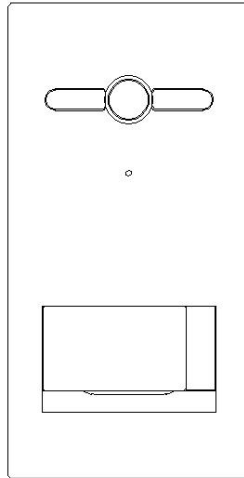
Min. Illumination: 0.1 lux

White Balance: Automatic

Fill-in Light Type: Light Sensitive Diode

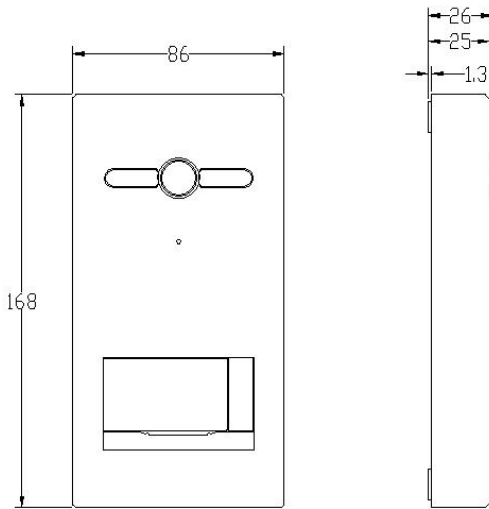
Chapter 2 Product Introduction

2.1 Front View

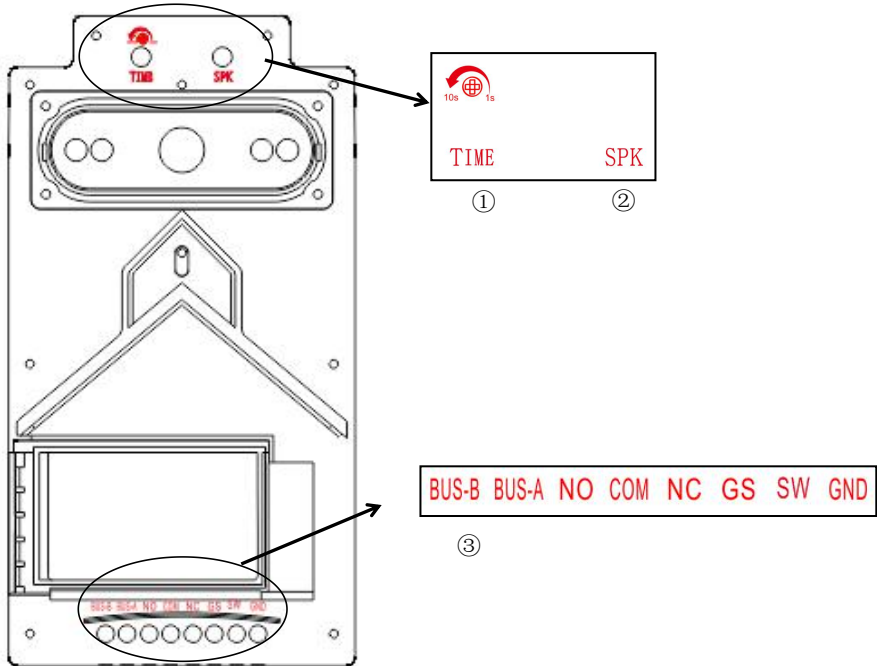


2.2 Product Dimension

Unit: mm



2.3 Interface Introduction



Interface①

Unlock time setting;

Interface②

calling volume setting;

Interface③

BUS-A , BUS-B: Bus interface;

NO, COM , NC: Normal open/close interface;

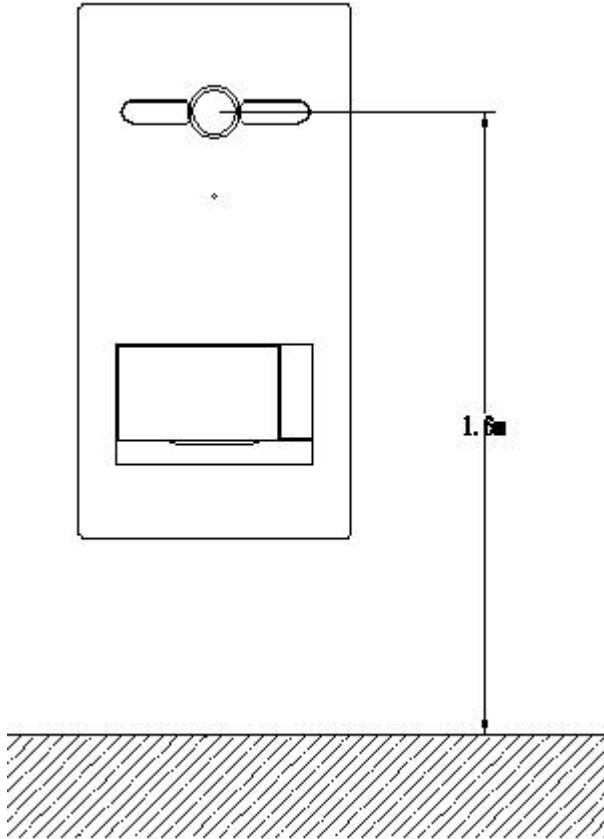
GS: Door status detection interface;

DOOR SW: Unlock inside;

GND: Common ground.

Chapter 3 Installation

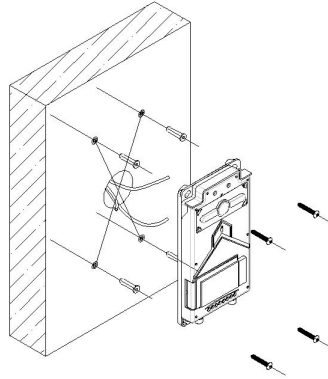
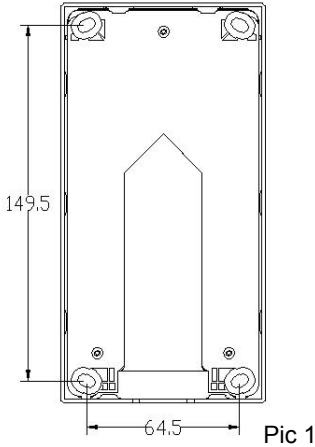
3.1 Installation Height



Suggested Installation Height: camera is 1.6m above the ground

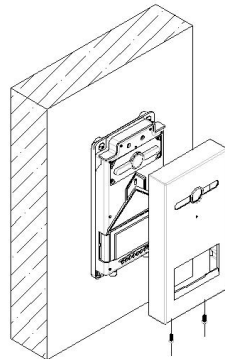
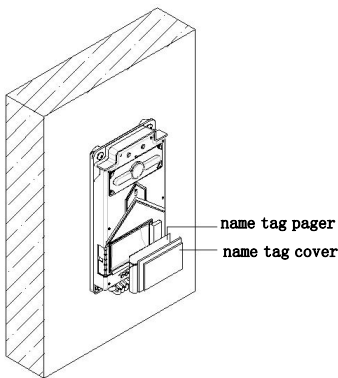
3.2 Installation Steps

Step 1: Drill holes on the wall according to the installation size (149.5×64.5mm), fix the capsules into the hole (it is recommended to align the device to the center of the reference line), then place the device and fasten with self-tapping screws(Pic 2).





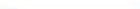
Step 2: Fill the paper with apartment's information, and install it in the name tag area, then complete the wiring (Pic 3).

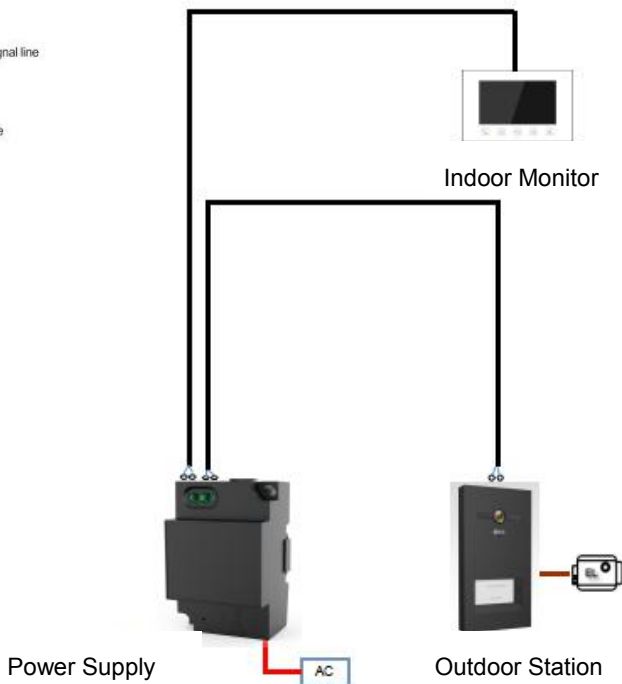
Step 3: Assemble the metal case onto the device, and fasten with plum blossom screw(Pic 4).



3.3 System Wiring

Remarks:

-  twin-core unlock signal line
-  2-wire cable
-  twin-core power line



Remarks:

- ① The outdoor station is suitable for villa system with one or two apartments, and it is possible to make connection with large system;
- ② Support multiple Indoor Monitors(maximum Qty is 4pcs) in one apartment, address of all Indoor Monitors in one apartment should be same;

Attention: When there's multiple monitors in one apartment, only one can be set as master Indoor Monitor, otherwise there will be an over-current. Please check the interface introduction for how to set a master Indoor Monitor.

- ③ When there are multiple Indoor Monitors in one apartment and after they are called, all Indoor Monitors will ring at the same time but only the screen of the master Indoor Monitor is turned on, and after one of the monitors pick up the call, the rest monitors hang up;

- ④ Power supply is limited, so only 2 monitors are allowed to be operated at the same time (intercom function is not limited);
- ⑤ The wiring above is recommended for villa system. If there are multiple Indoor Monitors in one apartment, wiring with distributors(Star topology) are recommended.

Chapter 4 User Instruction

4.1 Calling resident

Single Calling Function Outdoor Station T-OS06 :

By short pressing the button of T-OS06(Upper button/ Lower button), visitor starts to call the same Indoor Monitor 1, whose ringtone will echo back. Repeating pressing the buttons during the call, then the countdown will be reset (each call waits for 30 seconds); if there's no answer in 30 seconds, the call will be ended.

Dual Calling Buttons Outdoor Station T-OS10:

T-OS10 supports calling Indoor Monitor 1 and Indoor Monitor 2. By short pressing the **lower** button of T-OS10, visitor starts to call Indoor Monitor 1. By short press the **upper** button of T-OS10, visitor starts to call Indoor Monitor 2. If the upper button is pressed while calling Indoor Monitor 1, then the call will be switched to Indoor Monitor 2 and the countdown will be reset (each call waits for 30 seconds). If there's no answer in 30 seconds, the call will be ended.

4.2 Unlock

1) Unlock by Indoor Monitor

Door can be opened by Indoor Monitor when it's communicating with Outdoor Station or under surveillance mode.

2) Unlock by external push button

As there is an interface for integration of external push buttons, when this is connected, a normal push button can be used to unlock the door.

4.3 External camera extension

Outdoor Station is supported to work with Camera Interface for external camera extension. As Outdoor Station been well configured with Camera Interface, while Outdoor Station is calling Indoor Monitor, or Indoor Monitor is monitoring Outdoor Station, the displays can be switch between different cameras. For further information please refer to the user manual of Camera Interface.

Chapter 5 Settings

5.1 Factory Setting

Cut off the power of the outdoor station and power on within 60 seconds, long press any button on the outdoor station for 3 seconds. After a long beep, factory reset is done.

5.2 Unlock Time Setting

The default unlock time is 1 second. There is an adjustable potentiometer on the back side of the outdoor station(①), unlock time can be adjusted by ratio of 180° from 1 second to 10 seconds, lengthen in anticlockwise direction, shorten in clockwise direction.

5.3 Calling Volume Setting

The default calling volume is in middle value. There is an adjustable potentiometer on the back side of the outdoor station(②), unlock time can be adjusted by ratio of 180°. Users can freely adjust the calling volume according to the installation environment.

5.4 Address Setting

In standby mode, long press any button from outdoor station for 3 seconds, the device will beep-beep to enter the address setting mode. Short press the button to add address number from 1-5, after each short press, the device will beep different tmes to show what number it is with.

For example: a device with NO. 1 will beep once, if it's set to NO. 5, it will beep 5 times

after short press. When a device is already NO. 5, one short press more will make this device become device NO. 1, cyclically.

After address setting, long press any button for 3 seconds to exit setting mode with a long beep, or the setting mode will exit automatically if no operation for over 15 seconds.